



User Manual



RUNNING BELT



Contents

General information..... 3

Signs and symbols..... 3

Intended Use 5

Safety instructions 5

Contents / parts description..... 7

Check contents 7

Charge the running belt via the USB port..... 7

Using the running belt 8

Cleaning and maintenance 8

Storage 9

Disposal..... 9

Technical Data 10

General information



Carefully read the user manual and the safety instructions before using this product for the first time and use the running belt only as described in this user manual. Failure to comply with the following instructions may result in serious injury. The user manual is an integral component of the running belt. Keep the user manual for later reference and include it with the running belt if given to other persons for use.

This user manual can also be requested as a PDF file. Please contact us at the following email address with regard to this: info@aspiria-nonfood.de.

The included arm straps are compliant with the PPE Regulation (EU) 2016/425 and the EN 13356:2001 standard.

Signs and symbols

The following symbols and key phrases are used in this user manual, on the running belt, or on the packaging.



Read the instructions before use!



WARNING!

This symbol/key phrase indicates a hazard with a high degree of risk, which, if not prevented, could lead to death or serious injury.



CAUTION!

This symbol/key phrase is used to identify a low level of risk, which, if no steps are taken to prevent it, could lead to limited or minor injuries.

NOTICE!

This key phrase is used to warn of possible damage to property.



On the running belt: Declaration of conformity:
Products marked with this symbol fulfil the requirements of the EU guidelines.

On the arm straps: The CE symbol confirms conformity with PPE regulation (EU) 2016/425.



Do not dispose of old equipment in household waste (see Section 'Disposal').



Do not dispose of old equipment in household waste (see Section 'Disposal').



This symbol identifies electrical items that meet Protection class three standards.



This symbol indicates items that are powered by direct current.



This symbol indicates dangerous goods with a lithium ion battery.



Date of manufacture



This symbol indicates the date up to which the arm straps may be used.

Intended Use

The running belt is designed for training outdoors and is intended for easy transport of keys, smartphone and similar small items. The included arm straps helps to stay safe in twilight and darkness by increasing your own visibility. The running belt is not a toy. The running belt is intended solely for private use and is not suitable for commercial or professional use.

Safety instructions



WARNING! The running belt is dangerous for children and persons with reduced physical, sensory or mental capacities (for instance, the partially handicapped, older persons with restricted physical or mental capacities) and those who lack experience and knowledge (for example, older children).

- The running belt is not a toy. The running belt includes long straps that children can strangle themselves with. Do not allow children to play with the running belt.
- Children over eight and persons with reduced physical, sensory or mental capacities (for instance, the partially handicapped, older persons with restricted physical or mental capacities) and those who lack experience and knowledge (for example, children) may use the running belt under supervision or after they have been instructed in its safe use and have understood the associated danger.
- Children must not service or clean the product without adult supervision.

**WARNING!****Risk of injury!**

Improper use of the running belt can lead to electric shock or overheating.

- Stop using the USB charging cable if it becomes damaged.
- The battery of the running belt cannot be replaced. Do not try to access the battery.
- Do not expose the running belt to extreme conditions such as fire or heat (e.g. from radiators or prolonged sun exposure).
- Do not submerge the running belt in water or other liquids.
- Do not let moisture or liquids get inside the USB port or battery.
- Always close the USB port after charging using the rubber closure.
- Do not run the USB charging cable over sharp edges, pointed objects or the like.
- Always disconnect the USB charging cable from the running belt before cleaning.
- If you charge the running belt using a power adapter, make sure that the socket is easily accessible. This will allow you to quickly and easily separate the running belt from the power supply in a dangerous situation.
- Switch the running belt off immediately and, if necessary, separate the USB charging cable from the running belt if you notice smoke or a burning smell.
- Keep the running belt away from water and other liquids. Do not use the running belt in the rain.

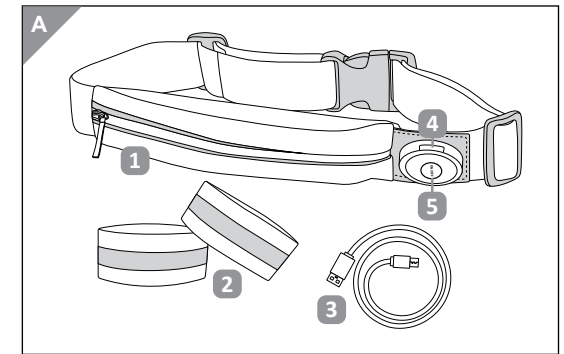
**CAUTION!****Risk of injury!**

- Check the running belt for damage before every use. Do not use the running belt if it is damaged.
- Do not make any modifications to the running belt.
- Replace the arm straps no later than five years after the date of manufacture indicated on the running belt.

Contents / parts description

- 1 Running belt x 1
- 2 Arm straps x 2
- 3 USB charging cable
- 4 Micro USB port
- 5 On/off button

User manual

**Check contents**

Check that all parts are included and that the running belt shows no signs of damage. If the running belt shows evidence of damage, do not use it.

Charge the running belt via the USB port

Before using it for the first time, the running belt must be charged using the USB charging cable. You can connect the USB charging cable to a PC, a power bank or a suitable USB power supply unit (not included) to charge the running belt. The USB power supply used to charge the Li-Ion battery must have SELV isolation and be constructed according to the EN 61347 or EN 60598 series of standards.

NOTICE!**Danger of damage to property!**

- Charge the running belt battery in a dry environment only.
- Do not use the running belt while it is charging.
- Disconnect the USB charging cable from the running belt after charging.

1. Connect the micro USB plug of the USB charging cable (3) to the micro USB port (4) on the running belt (1).

2. Connect the USB-A plug of the USB charging cable **3** with a USB port on your computer, a power bank or a suitable USB power supply unit. The LED on the port lights up during charging.
3. Disconnect the USB charging cable from the running belt. Close the USB port using the rubber closure after charging.
4. Charge the running belt when the light of the LEDs become weaker.

Using the running belt

The LED light has three different modes:

1) flashing quickly, 2) flashing slowly, 3) continuously lit up.

1. Put on the running belt and close the buckle. Adjust the size as needed using the adjustable strap. The running belt should sit close to the body, but should not dig in.
2. Put the arm straps over the arms so that they fit tightly and cannot slip out of place.
3. To activate light mode 1), press the on/off button **5** once. The LEDs flash quickly.
4. To activate light mode 2), press the on/off button **5** a second time. The LEDs flash slowly.
5. To activate light mode 3), press the on/off button **5** a third time. The LEDs light up continuously.
6. To switch off the LED light, press the on/off button **5** a fourth time.

Cleaning and maintenance

NOTICE!

Danger of damage to property!

- Never use aggressive or solvent-based cleaning agents, metallic sponges, or coarse brushes.
- Do not allow any liquids into the interior of the running belt or the LEDs. If moisture has penetrated through, stop using the running belt.

Clean the running belt only superficially with a dry, soft cloth. To remove stubborn dirt deposits, use only a slightly moist cloth. The running belt's LEDs cannot be replaced. When the LEDs have reached the end of their service life, the entire light fixture must be replaced.

The life span of the arm straps depends on the frequency and intensity of use. Do not use the arm straps if they are damaged.

Storage

Store the running belt in a dry location out of the reach of children. Keep the running belt out of direct sunlight and away from other heat sources as well as from frost.

Do not expose the running belt or the arm straps to excessive mechanical stress during storage and transportation.

Disposal

Packaging and arm straps

All packaging components and the arm straps can be disposed of, in accordance with applicable regulations, by an authorised waste disposal firm or the local authority responsible for waste disposal. The staff at your local waste disposal firm will inform you, on request, about options for environmentally friendly and proper disposal.

Old equipment



In accordance with legislation, old electronic equipment must be disposed of at collection points for electrical and electronic waste.

Address and opening times of the collection points are available from your local authority.

Batteries



You have a statutory obligation to dispose of batteries at collection points for used batteries. You will find these either at the point of sale of the product, battery retailers or at your local authority recycling centres. Batteries must be fully discharged before you dispose of them at the used batteries collection point.

Technical Data

Input: 5 V ; 1 A max.

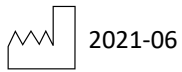
Battery: HY501225PL Li-Ion

+110mAh 0.407 wh 3.7 V

LED: Max. 0.15 W



Only applies to the arm straps:



The CE symbol confirms conformity with PPE regulation (EU) 2016/425.

Notified body:

TÜV Rheinland LGA Products GmbH

Tillystr. 2

D-90431 Nürnberg

Notified body number: 0197

The EU Declaration of Conformity is available at the following internet address:

www.aspiria-nonfood.de/downloads

The latest version of the type label is available at the following internet address:

www.aspiria-nonfood.de/downloads



VERSION: 2021-07
ITEM NUMBER: 808751
MODEL NUMBER: ANS-21-009 (BELT) /
ANS-21-063 (ARM STRAPS)



PRODUCED IN CHINA FOR:

ALDI STORES LTD., PO BOX 26, ATHERSTONE,
WARWICKSHIRE CV9 2SH.

ALDI STORES (IRELAND) LTD.,
PO BOX 726, NAAS, CO. KILDARE.

www.aldi.com